

**FIG. 1-1**  
**M-8 MONO-PRESS**  
**TRUSS MACHINE**  
**(STANDARD MODEL)**

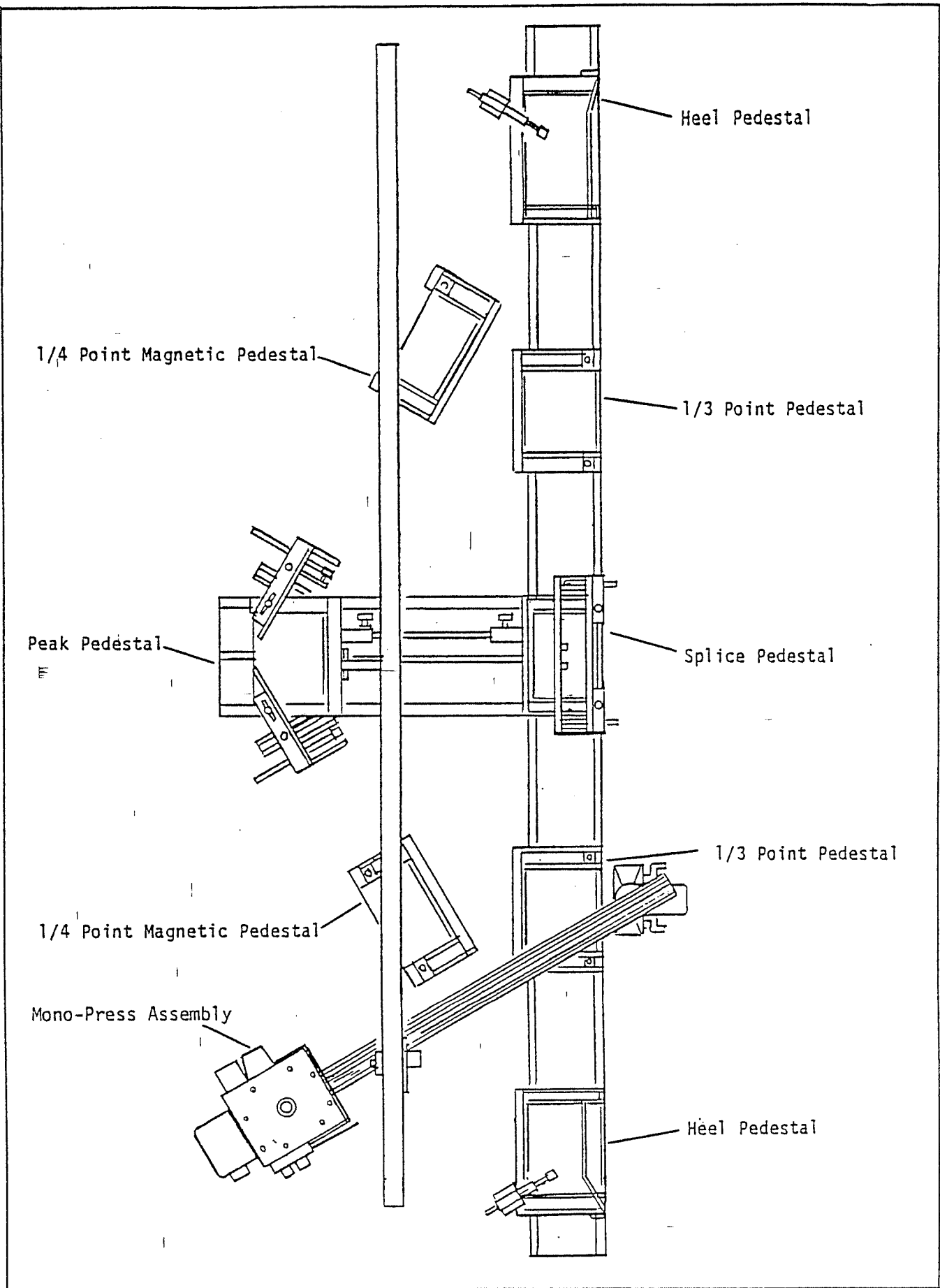
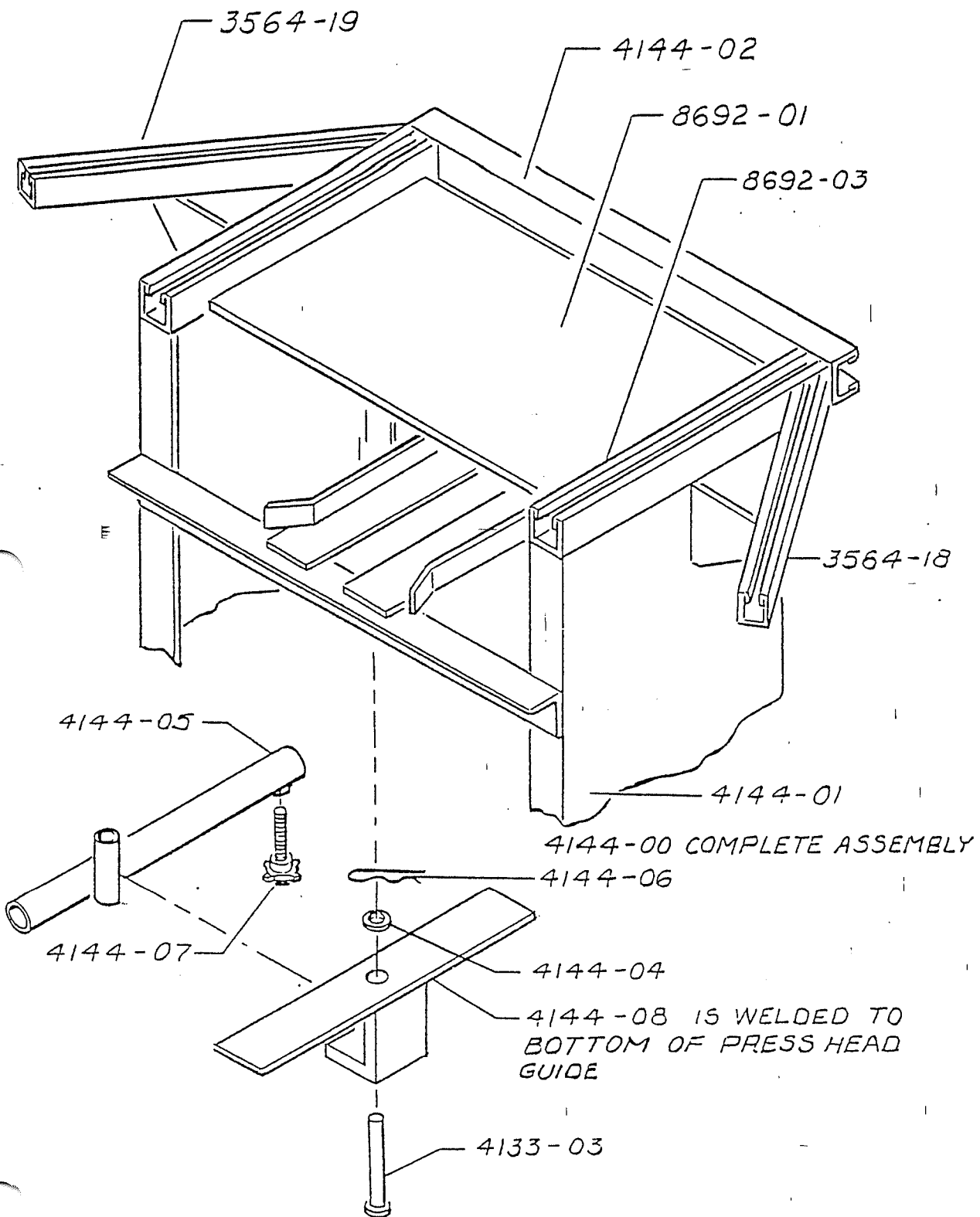
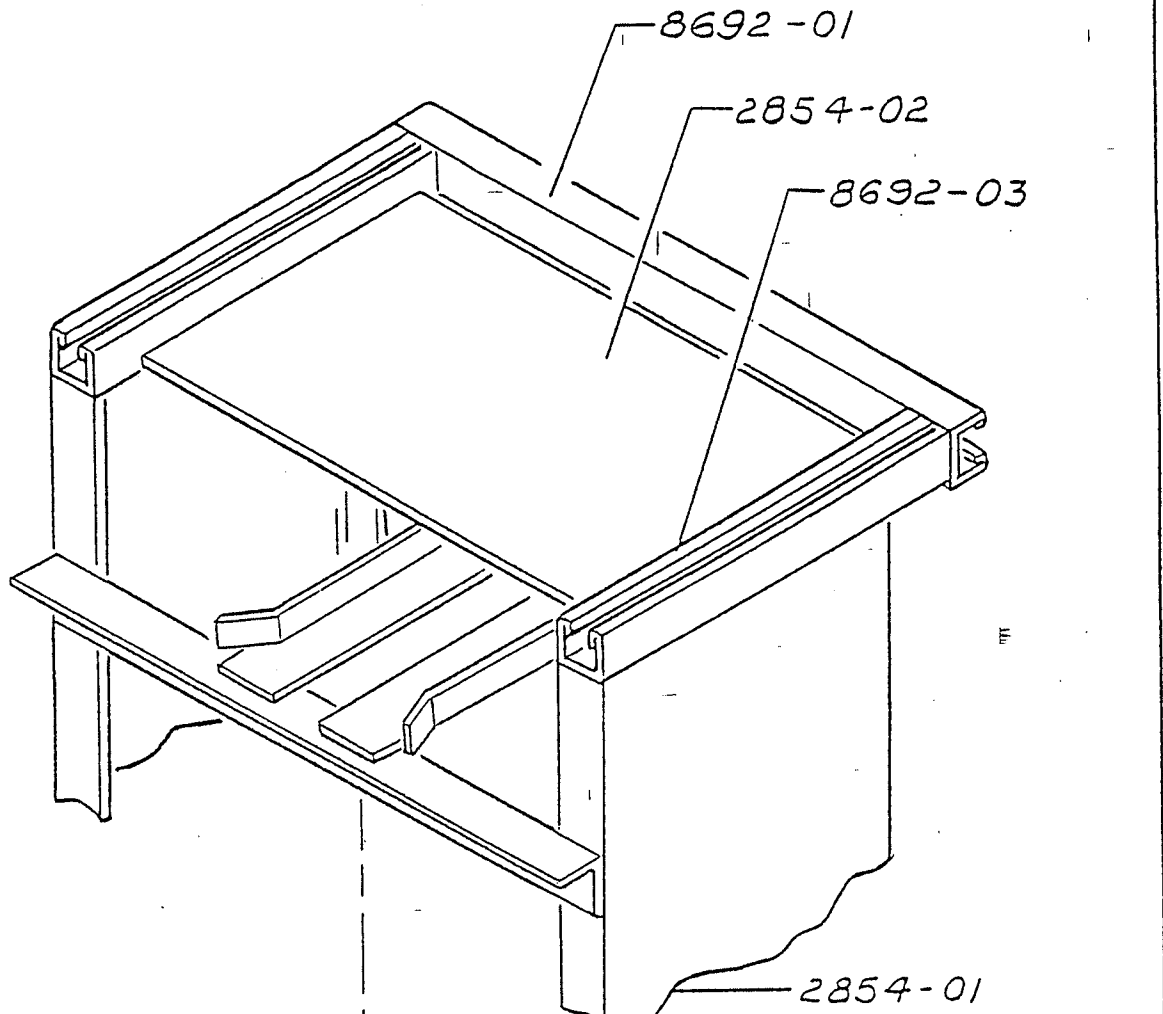


Fig. 4-1 TopView. Truss Pedestal Setup





**SECTION 114**  
**M-8 PEAK PEDESTAL**

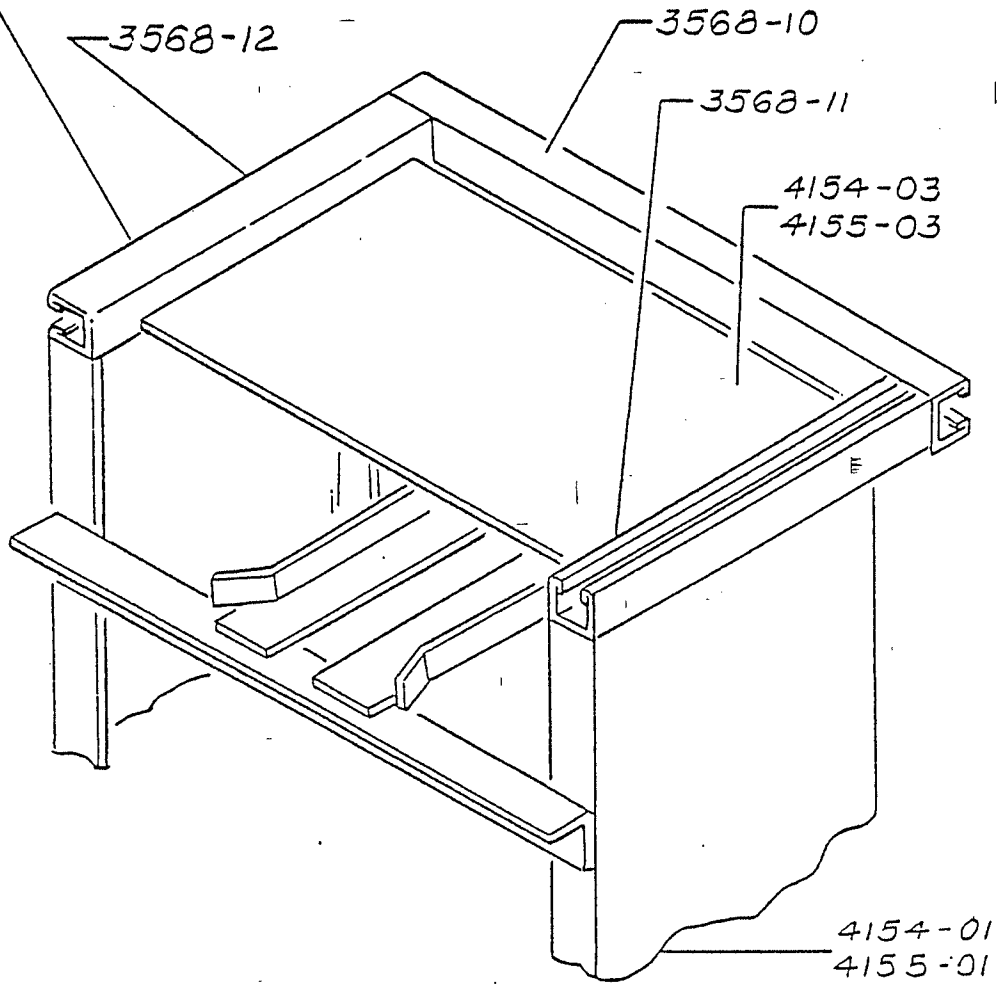


2854-00 COMPLETE ASSEMBLY

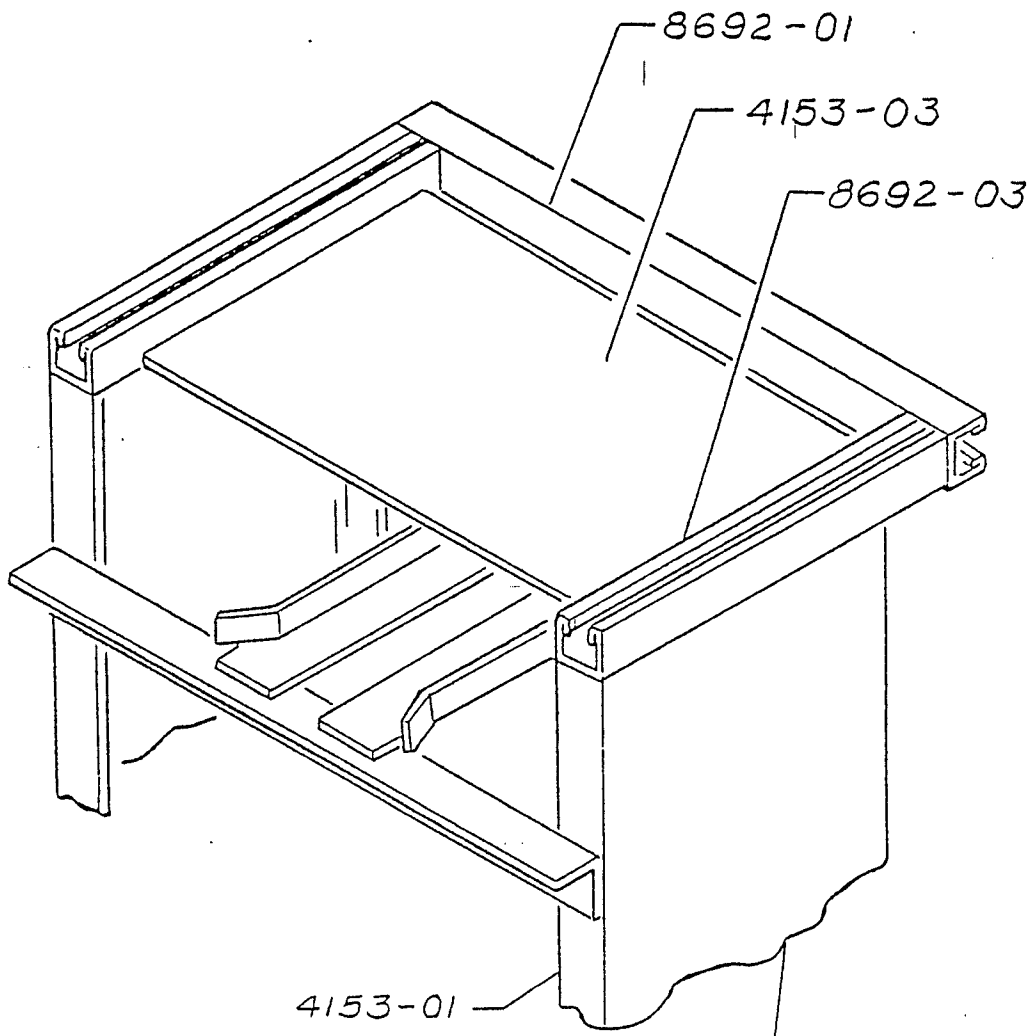
2854-20  
 IS WELDED TO  
 BOTTOM OF  
 PRESS HEAD  
 GUIDE

**SECTION 114  
 M-8 SPLICE PEDESTAL**

4154-00 LEFT HEEL PEDESTAL SHOWN  
4155-00 RIGHT HEEL PEDESTAL OPPOSITE



**SECTION 114**  
**M-8 HEEL PEDESTAL**



4153-00 COMPLETE ASSEMBLY

**SECTION 114**  
**M-8 THIRD POINT**

Lower Panel Point