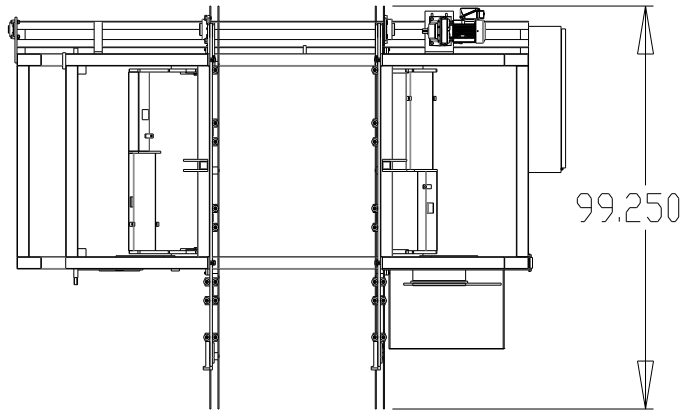
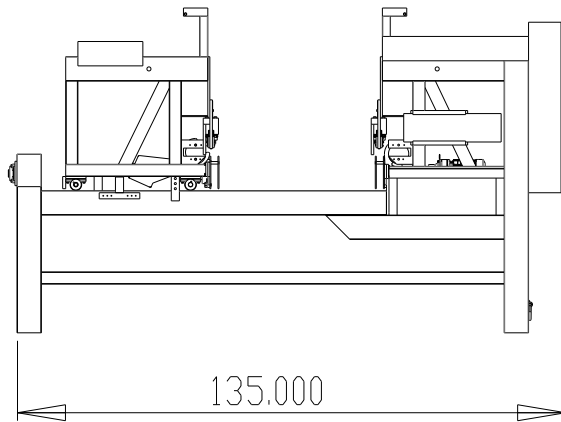


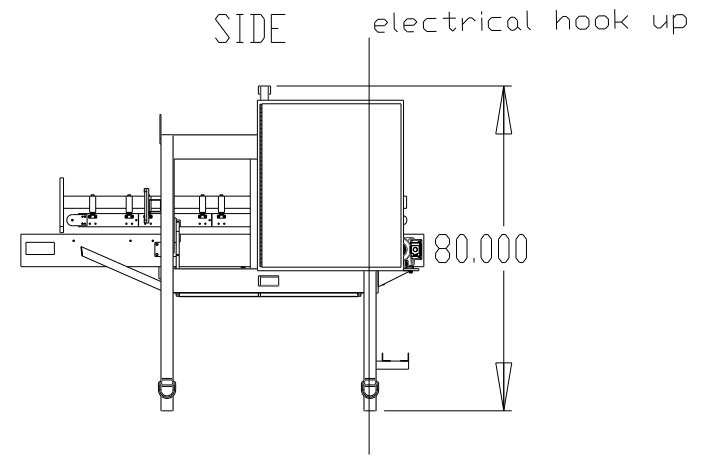
TOP



FRONT



SIDE



NOTES:

1. LETTERS IN  INDICATE TOLERANCE
2. REMOVE ALL BURRS AND SHARP EDGES
3. DIMENSIONS IN ( ) REFERENCE ONLY

MATERIAL:

MONET DESAUW INC.

TITLE: FWA

DRAWN BY: RYAN MIDDGAUGH

DATE: 04-30-2015

 TOLERANCE KEY

- A = .001
- B = .002
- C = .005
- D = .010
- E = .020
- F = .050

ANGLES 0.50 UNLESS SPECIFIED

SIZE

A

PART NO.

(#) PER SAW

1

SCALE: 1:50

WEIGHT:

SHEET 1 OF 1